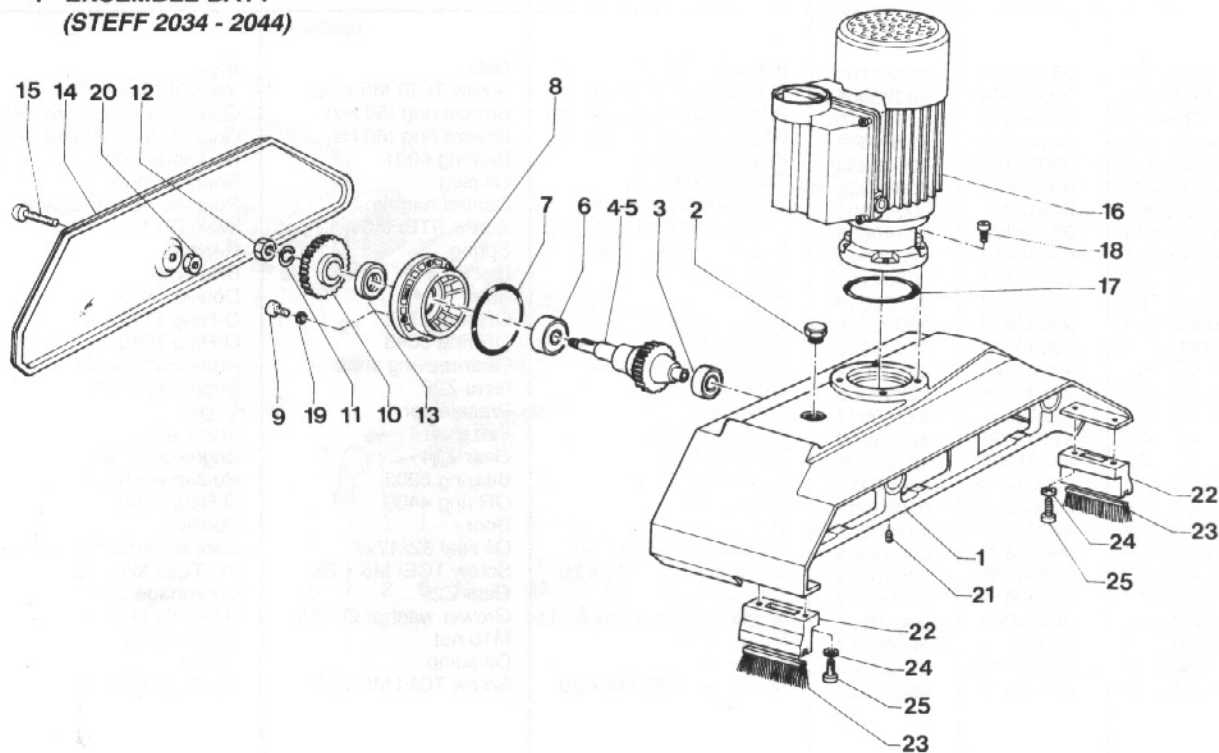


N°	BEST.NR. CODE REFERENCE STEFF 2034	BEST.NR. CODE REFERENCE STEFF 2044	PART NAME
1	32722101	33622101	Baty
2	00003203	00003203	Oil plug
3	00003434	00003434	Bearing 6001
4	42100021	42100021	Shaft with ring
5	42100022	42100022	Shaft with ring
6	00003410	00003410	Bearing 6203
7	00003516	00003516	OR ring 3281
8	42100104	42100104	Door
9	00030512	00030512	Screw TCEI M5 x 18
10	42200012	42200012	Gear Z25
11	00000006	00000006	Grower washer Ø 10
12	00000114	00000114	M10 nut
13	00003605	00003605	Oil seal 32x17x7
14	32722102	33622102	Oil sump
15	00040512	00040512	Screw TCEI M5 x 18
16	20100000	20100000	Motor
17	00003504	00003504	OR ring 174
18	00050803	00050803	Screw TCEI M8 x 16
19	00000017	00000017	Flat washer Ø 5
20	00000139	00000139	Nut M5 UNI 5588
21	00140605	00140605	Screw STEI 6x12 p.c.
22	42160100	42160100	Support for brush
23	42700011	42700011	Brush
24	00000017	00000017	Washer Ø 5,3
25	00030507	00030507	Screw TCEI M5x20

*Nur für Typ GS *Only for GS type *Uniquement pour type GS

ABB. 1 - GEHÄUSE-EINHEIT
TAB. 1 - BATY GROUP
PL. 1 - ENSEMBLE BATY
(STEFF 2034 - 2044)



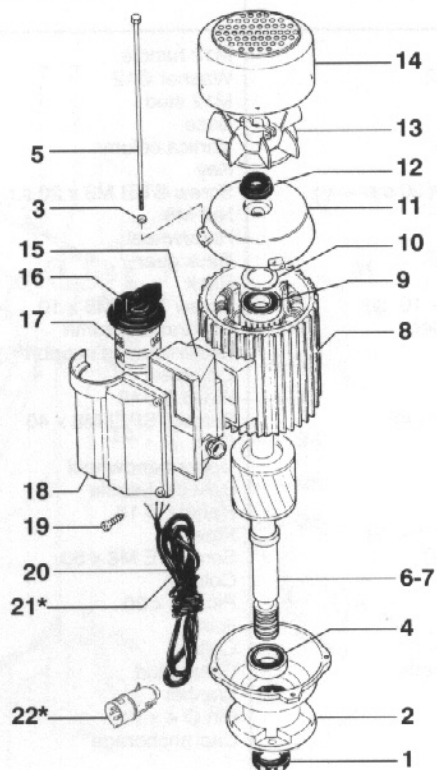
N°	KODE CODE REFERENCE	PART NAME
1	00003614	Oil seal 30x52x7
2	40100029	Lower flange
3	00000029	M5 nut
4	00003413	Bearing 6206 - 2SR
5	00006104	Tie rods
6	30100006	Rotor HZ=50
7	30101001	Rotor HZ=60
8	30100007	Stator frame
9	00003411	Bearing 6204 - 2Z
10	00006004	Spacer
11	00005904	Upper flange
12	00006304	Oil seal 20x35x7
13	00004803	Fan
14	00006404	Hood
15	00006201	Lower box
16	00003909	Switch handle
17	00005002	Switch body
18	00006202	Upper box
19	00270407	Self-tapping screw TC M4 x 30
20	00005403	Electric cable
20*	00005415	Kabel GS
21*	00000400	Electrical plug

* Modell GS - * GS Type - * Tipe GS

ABB. 4- MOTOREINHEIT

TAB. 4- ENGINE UNIT

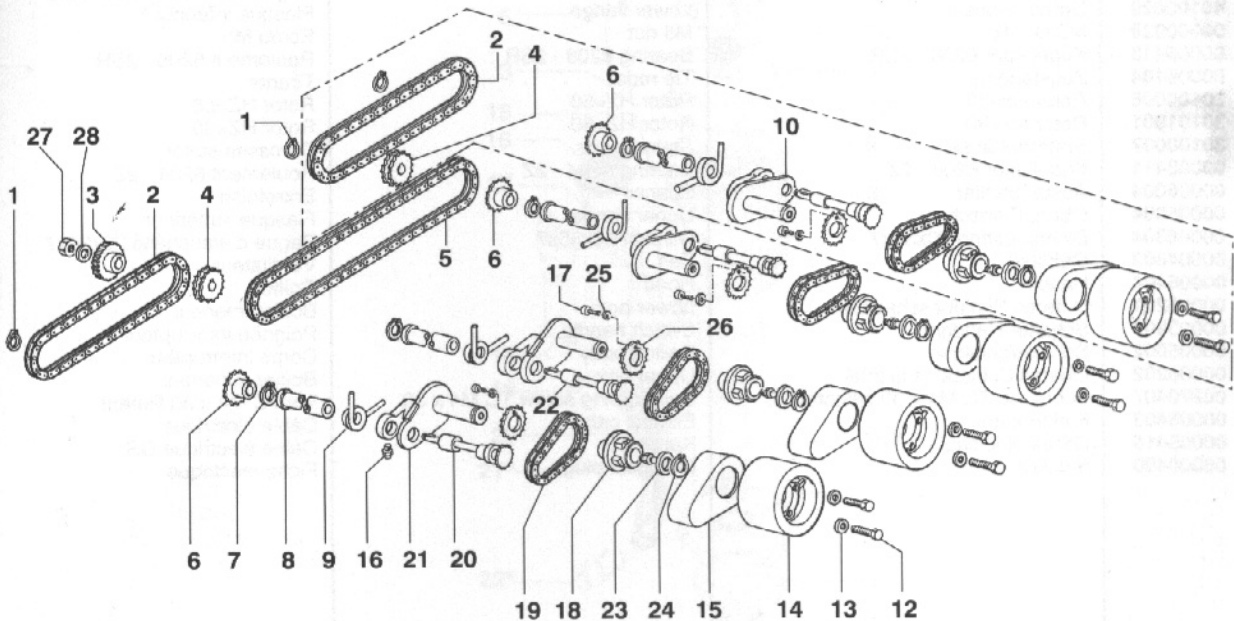
PL. 4- ENSEMBLE MOTEUR



N°	BEST.NR. CODE REFERENCE	PART NAME
----	-------------------------------	-----------

1	00003303	Seeger ring E15
2	40100026	Chain 3/8 - 40 pitches
3	42200011	External gear Z = 40
4	31601018	Double pinion
5	40100027	Chain 3/8 - 62 pitches
6	41600017	Single pinion
7	00003311	Seeger ring E26
8	31600003	Bush
9	40100013	Spring
10	40102014	RH support
11	40100022	Hub gear
12	00350808	Screw TCEI M8 x 35
13	00000030	Washer
14	30100015	Rubberized roller
15	40101016	Support shutter
16	00003703	M6 lubricator
17	00040604	Screw TCEI M6 x 16
18	40100018	Wheel hub
19	40100028	Chain 3/8 - 26 pitches
20	41601019	Axle
21	40102020	LH support
22	41601020	Central axle
23	00000034	Washer Ø 20
24	00003307	Seeger ring E20
25	00000041	Schnor washer Ø 6
26	40100022	Hub pinion

ABB. 3- ÜBERTRAGUNGSEINHEIT
TAB. 3- TRANSMISSION GROUP
PL. 3- ENSEMBLE TRANSMISSION



N°	BEST.NR. CODE REFERENCE	PART NAME
1	33201009	M12 handle
2	00000022	Washer Ø12
3	43200008	M12 stud
4	33253101	Base
5	43205009	Vertica column
6	43201010	Key
7	00150809	Screw STEI M8 x 20 c.r.
8	00000110	Nut M8
9	33200006	Handwheel
10	43200012	Rack gear
11	43202013	Rack
12	00030503	Screw TCEI M5 x 10
13	43203014	Horizontal column
14	33253102	Cross-shaped support
15	43200016	Lift screw
16	00004318	Pin Ø 6 x 40
17	00550808	Screw TSPEI M8 x 40
18	33205107	Cap
19	33200008	Upper handwheel
20	00003902	Bakelite handle
21	33201010	Handle Ø 16
22	33253103	Pipe
23	00350811	Screw TE M8 x 50
24	43201019	Column
25	00004313	Pin M6 x 20
26	33201104	Joint
27	33200105	Collar
28	43200020	Collar stud
29	00000020	Washer
30	00004303	Pin Ø 4 x 14
31	43200077	Cap anchorage

ABB. 5 - TRÄGEREINHEIT
TAB. 5 - SUPPORT UNIT
PL. 5 - ENSEMBLE SUPPORT

