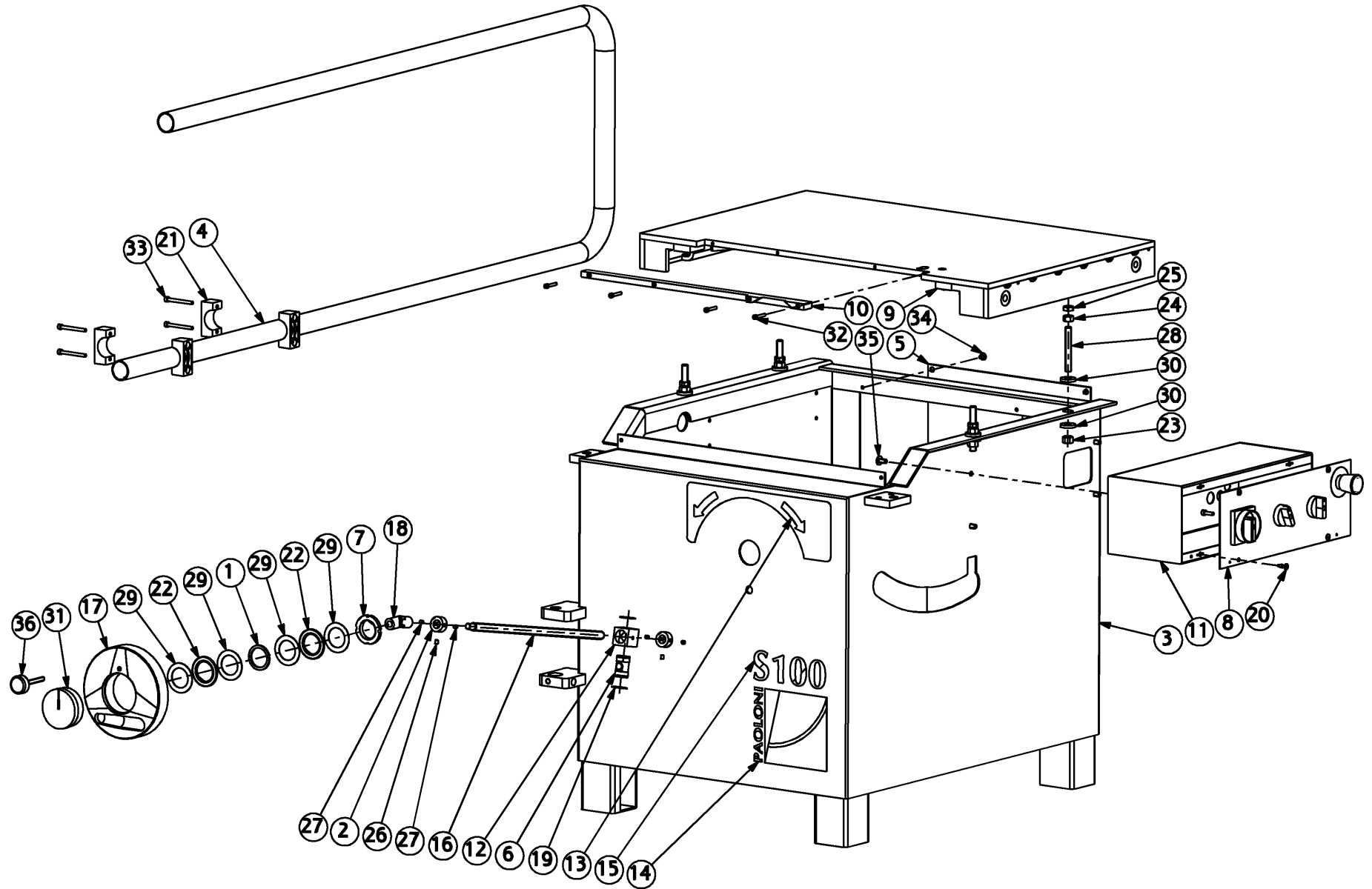


CATALOGO RICAMBI
SPARE PARTS LIST
CATALOGUE DES PICES
DETACHEES
ERSATZTEILKATALOG
CATALOGO RECAMBIOS

S100-S150-S200-S260-S300

Validità da 07/2005



S100/S150

07/2005

TAV. 195

RIF.	CODICE			QUANTITA' QUANTITY QUANTITE MENGE CANTIDAD
1	6022514			1
2	6022569			2
3	6052719			1
4	6075069			1
5	6097476			1
6	6110070			1
7	6281011			1
8	6595150	TAB. N°1		1
9	6615235			1
10	6643052			1
11	6745048			1
12	6785595			1
13	6807417			1
14	6807431			1
15	6807518	TAB. N°2		1
16	6881164			1
17	6889019			1
18	7283000			1
19	8023153			2
20	8101600			4
21	8110201			4
22	8131616		SKF AXK 4060	2
23	8153038			4
24	8153207			4
25	8154004			4
26	8280114			2
27	8280711			4
28	8483179			4
29	8682003		SKF AS 4060	4
30	8715601			8
31	8876082			1
32	8883044			4
33	8883073			4
34	8883616			4
35	8883630			4
36	8895503			1

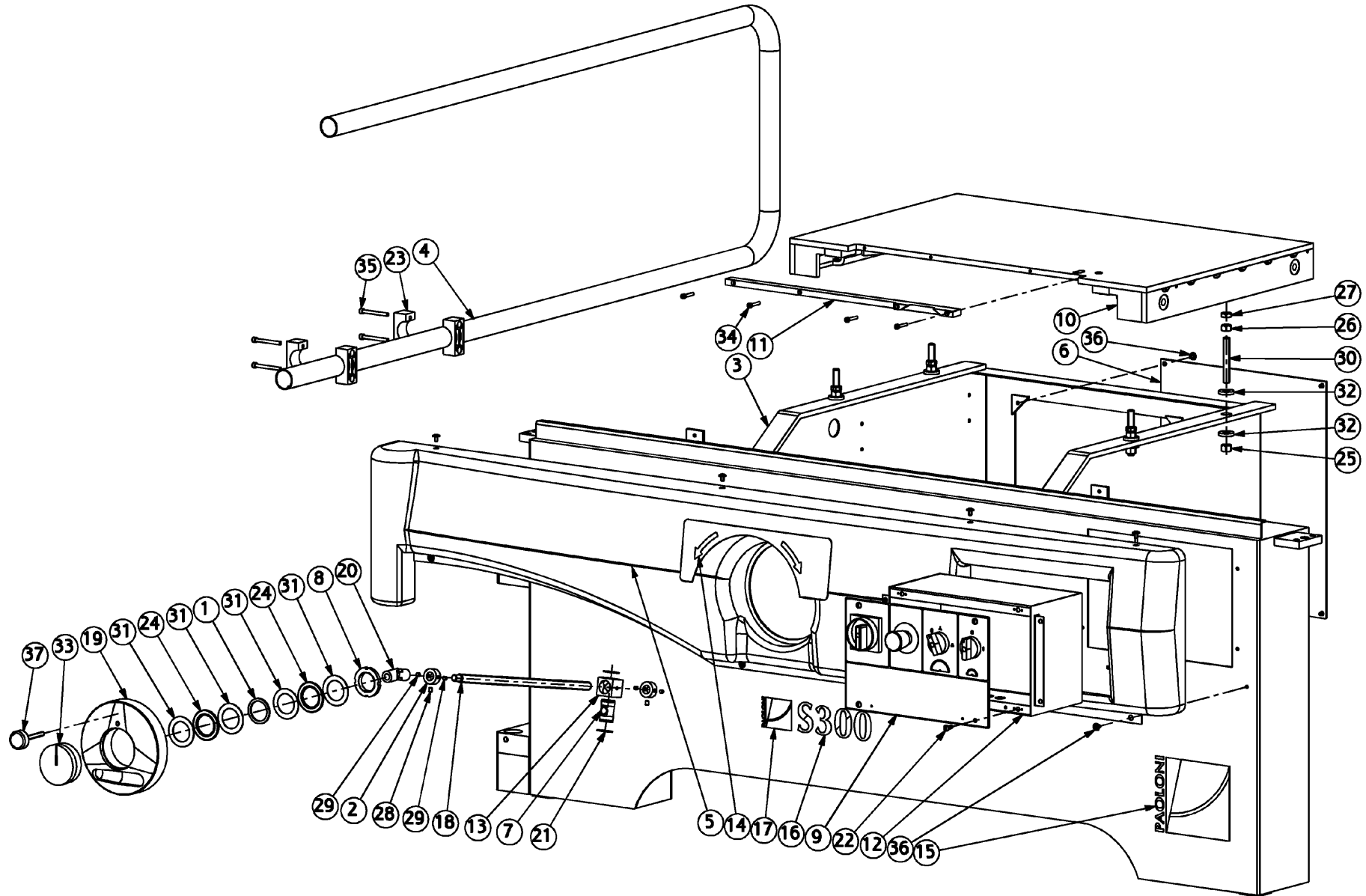
TAB. N°1		
RIF.	STD-CE	USA-CSA
8	6595150	6595214

TAB. N°2		
RIF.	S100	S150
15	6807518	6807519

S100/S150

07/2005

TAV. 195



S200/S260
S300

07/2005

TAV. 196

RIF.	CODICE			QUANTITA' QUANTITY QUANTITE MENGE CANTIDAD
1	6022514			1
2	6022569			2
3	6052715			1
4	6075069			1
5	6097269			1
6	6097405			1
7	6110070			1
8	6281011			1
9	6595222	TAB. N°1		1
10	6615235			1
11	6643052			1
12	6745049			1
13	6785595			1
14	6807417			1
15	6807431			1
16	6807649	TAB. N°2		1
17	6807659			1
18	6881164			1
19	6889019			1
20	7283000			1
21	8023153			2
22	8101600			4
23	8110201			4
24	8131616		SKF AXK 4060	2
25	8153038			4
26	8153207			4
27	8154004			4
28	8280114			2
29	8280711			4
30	8483179			4
31	8682003		SKF AS 4060	4
32	8715601			8
33	8876082			1
34	8883044			4
35	8883073			4
36	8883616			12
37	8895503			1

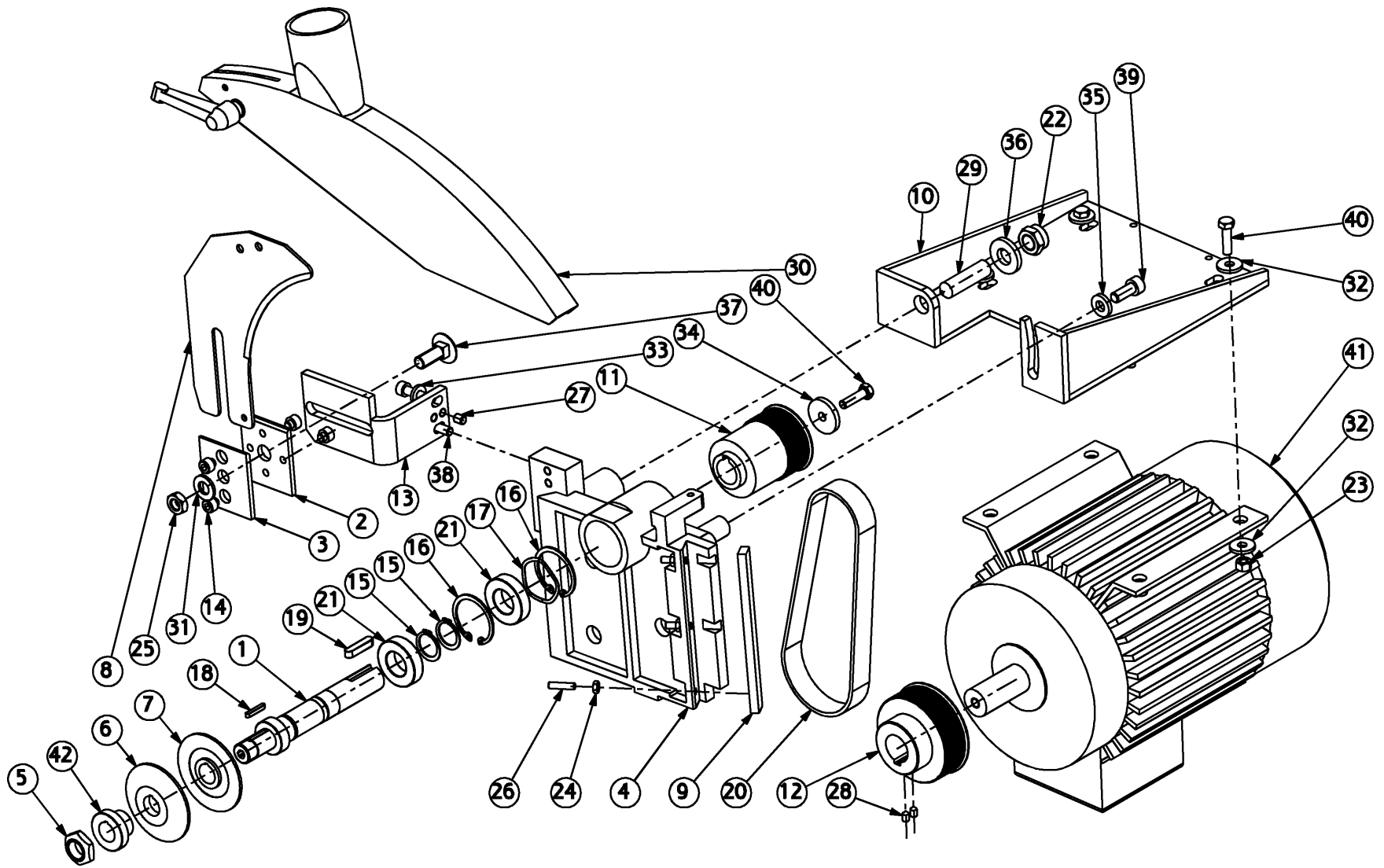
TAB. N°1		
RIF.	STD-CE	USA-CSA
9	6595222	6595223

TAB. N°2			
RIF.	S300	S260	S200
16	6807649	6807658	6807657

S200/S260
S300

07/2005

TAV. 196



S100/S150
S200/S260/S300

07/2005

TAV. 197

RIF.	CODICE			QUANTITA' QUANTITY QUANTITE MENGE CANTIDAD
1	6020261	TAB. N°2		1
2	6069010			1
3	6069011			1
4	6075077			1
5	6152016			1
6	6255164			1
7	6255165	TAB. N°2		1
8	6395025			1
9	6398075			1
10	6617719			1
11	6642218			1
12	6642219			1
13	6785785			1
14	6881320			4
15	8023152			2
16	8030043			2
17	8030179			1
18	8101115			1
19	8101161			1
20	8102600	TAB. N°2		1
21	8130105		SKF 6005 2RS	2
22	8153009			1
23	8153036			4
24	8154000			3
25	8154004			1
26	8280122			3
27	8280134			2
28	8280712			2
29	8280820			1
30	8644065			1
31	8715005			1
32	8715301			8
33	8715401			2
34	8715405			1
35	8715501			1
36	8715803			1
37	8882010			1
38	8883088			2
39	8883127			1
40	8885081			5
41	MOTOR B3	TAB. N°1		1
42	X	TAB. N°2		1

RIF.41	TAB. N°1 (S300-S260-S200-S150-S100)
CODE	MOTOR TYPE
8477245	HP 7.5 2P B3 112 MULT. V230/400 50 HZ T
8477247	HP 7.5 2P B3 112 MULT. V400/700 50 HZ T
8477250	HP 9 2P B3 112 UL V220/440 60 HZ T
8477253	HP 9 2P B3 112 CSA V575/990 60 HZ T
8477255	HP 9 2P B3 112 CSA V220/440 60 HZ T
8477259	HP 7.5 2P B3 112 F220 V230/400 50 HZ T
8477261	HP 7.5 2P B3 112 MULT. F220 V400/700 50 HZ T
8477264	HP 9 2P B3 112 UL F220 V220/440 60 HZ T
8477266	HP 9 2P B3 112 CSA F220 V575/990 60 HZ T
8477271	HP 9 2P B3 112 CSA F220 V220/440 60 HZ T
8477280	HP 5.5 2P B3 100 MULT. V230/400 50 HZ T
8477282	HP 5.5 2P B3 100 MULT. V400/700 50 HZ T
8477285	HP 6.6 2P B3 100 UL V220/440 60 HZ T
8477287	HP 6.6 2P B3 100 CSA V575/990 60 HZ T
8477290	HP 6.6 2P B3 100 CSA V220/440 60 HZ T
8477299	HP 6.6 2P B3 100 CSA F220 V220/440 60 HZ T
8477301	HP 5.5 2P B3 100 MULT. F220 V230/400 50 HZ T
8477303	HP 5.5 2P B3 100 MULT. F220 V400/700 50 HZ T
8477306	HP 6.6 2P B3 100 UL F220 V220/440 60 HZ T
8477308	HP 6.6 2P B3 100 CSA F220 V575/990 60 HZ T
8477314	HP 4 2P B3 100 V220 50 HZ M
8477315	HP 4 2P B3 100 V240 50 HZ M
8477316	HP 4 2P B3 100 V220 60 HZ M
8477317	HP 4 2P B3 100 UL V220 60 HZ M
8477318	HP 4 2P B3 100 CSA V220 60 HZ M
8477319	HP 4 2P B3 100 F220 V220 50 HZ M
8477413	HP 3 2P B3 100 V220 50 HZ M
8477414	HP 3 2P B3 100 F220 V220 50 HZ M
8477415	HP 3 2P B3 100 V240 50 HZ M
8477416	HP 3 2P B3 100 CSA V220 60 HZ M
8477418	HP 3 2P B3 100 V220 60 HZ M
8477419	HP 3 2P B3 100 UL V220 60 HZ M

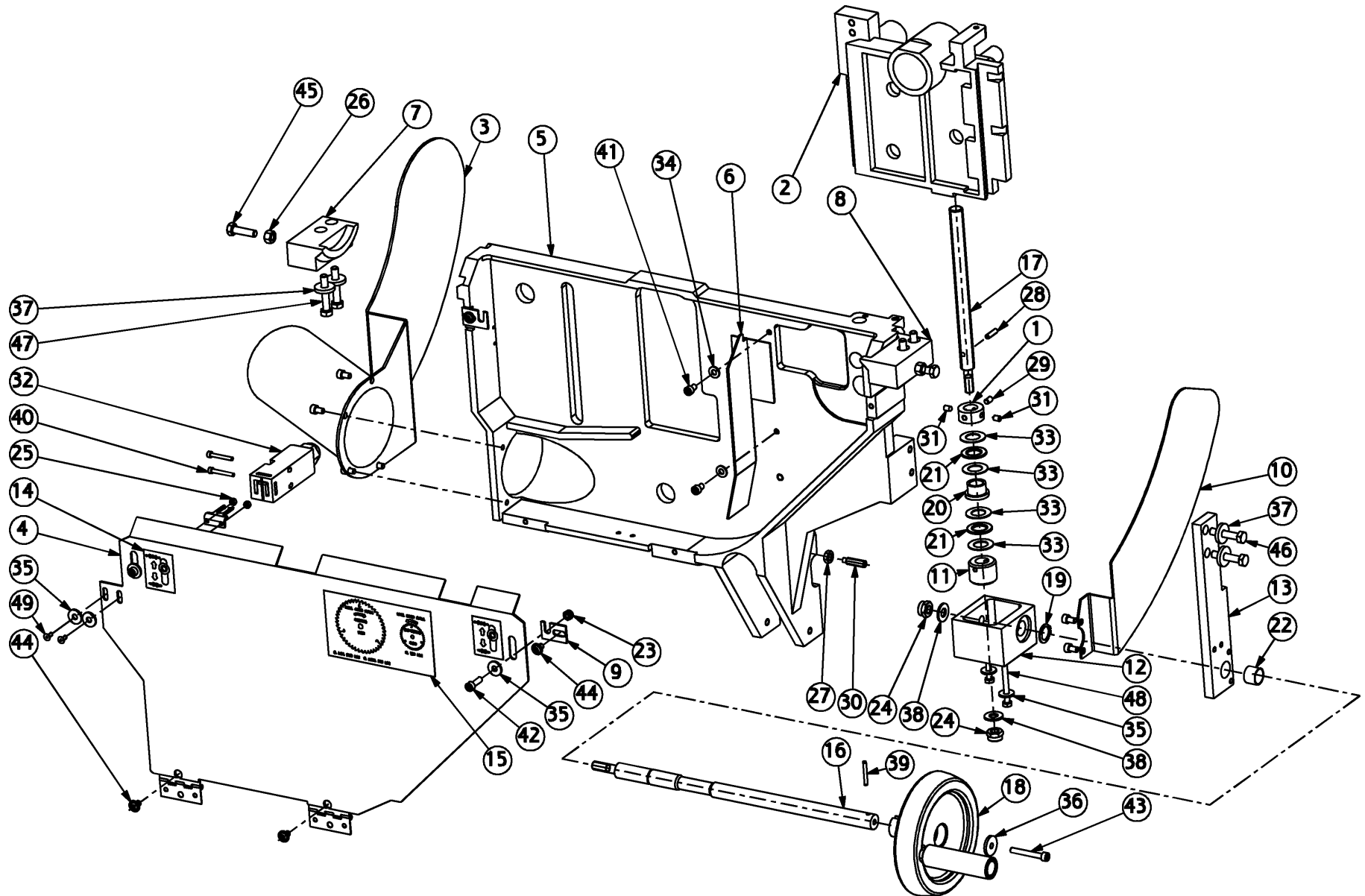
RIF.41	TAB. N°1 (S150-S100)
CODE	MOTOR TYPE
8477322	HP 4 2P B3 100 MULT. V230/400 50 HZ T
8477324	HP 4 2P B3 100 MULT. V400/700 50 HZ T
8477327	HP 4.8 2P B3 100 UL V220/440 60 HZ T
8477329	HP 4.8 2P B3 100 CSA V575/990 60 HZ T
8477332	HP 4 2P B3 100 CSA V220/440 60 HZ T
8477344	HP 4 2P B3 100 MULT. F220 V230/400 50 HZ T
8477346	HP 4 2P B3 100 MULT. F220 V400/700 50 HZ T
8477349	HP 4.8 2P B3 100 UL F220 V220/440 60 HZ T
8477351	HP 4.8 2P B3 100 CSA F220 V575/990 60 HZ T
8477353	HP 4.8 2P B3 100 F220 V220/440 60 HZ T

TAB. N°2			
RIF.	CE	USA (INCH)	USA (MM)
1	6020261	6020261	6020268
7	6255165	6255169	6255165
20	8102600 (GATES MICRO V 10PJ 584)	8102600 (GATES MICRO V 10PJ 584)	8102600 (GATES MICRO V 10PJ 584)
42	-	6169267	6169405

**S100/S150
S200/S260/S300**

07/2005

TAV. 197



S100/S150
S200/S260/S300

07/2005

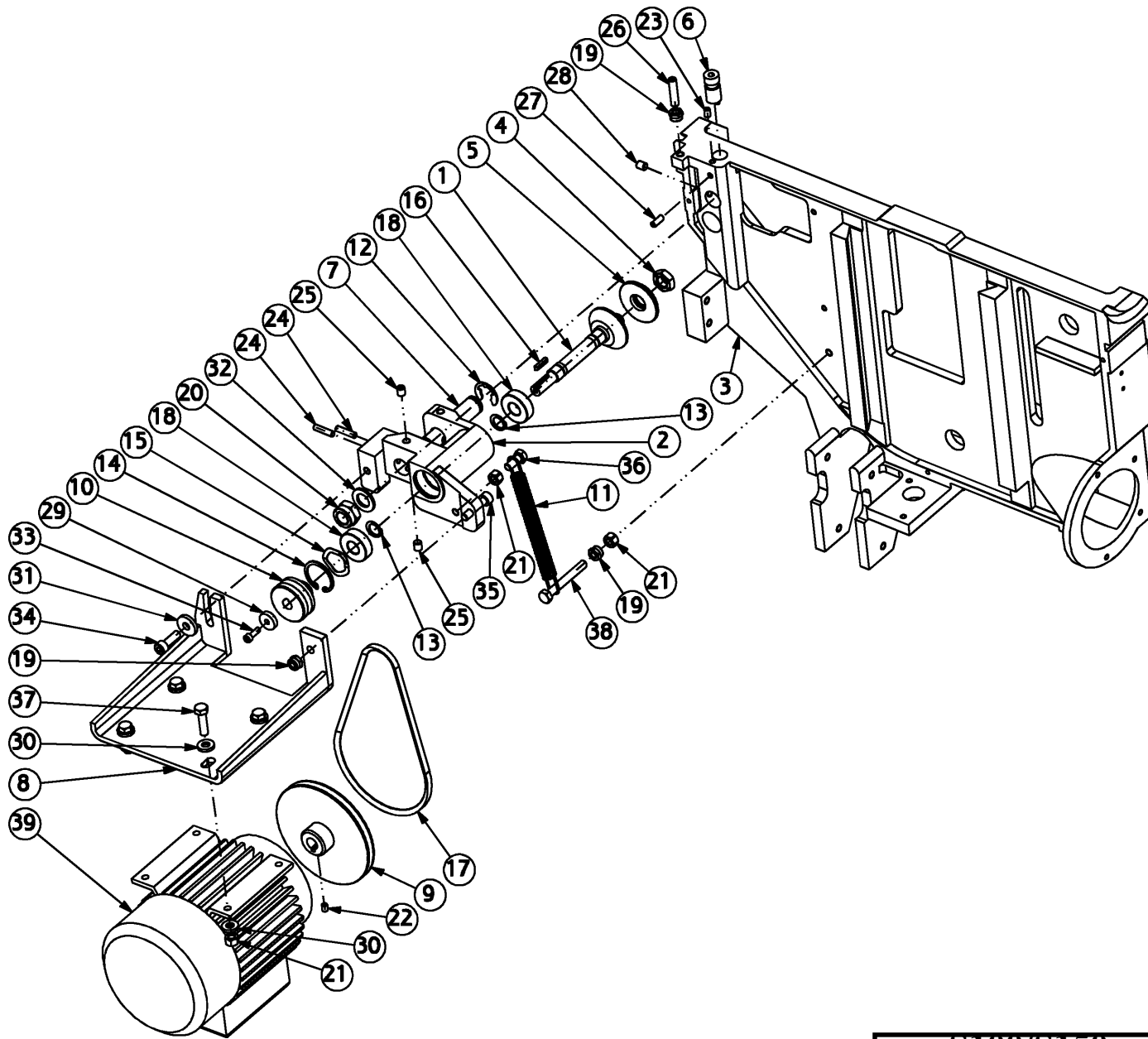
TAV. 198

RIF.	CODICE			QUANTITA' QUANTITY QUANTITE MENGE CANTIDAD	RIF.	CODICE			QUANTITA' QUANTITY QUANTITE MENGE CANTIDAD
1	6022569			1	43	8883070			1
2	6075077			1	44	8883616			4
3	6095710			1	45	8885081			2
4	6097452			1	46	8885083			2
5	6129032			1	47	8885084			4
6	6396269			1	48	8886077			2
7	6435017			1	49	8887107			2
8	6435018			1					
9	6617499			2					
10	6637150			1					
11	6735047			1					
12	6744016			1					
13	6785505			1					
14	6807525			2					
15	6807699			1					
16	6881143			1					
17	6881144			1					
18	6889026			1					
19	8023145			1					
20	8079014			1					
21	8131610	SKF AXK 1730		2					
22	8131847	GLY PG 182015-F		1					
23	8153003			2					
24	8153006			2					
25	8153032			2					
26	8153036			2					
27	8154002			2					
28	8280105			1					
29	8280115			1					
30	8280512			2					
31	8280712			2					
32	8472013			1					
33	8681998	SKF AS 1730		4					
34	8715002			2					
35	8715051			6					
36	8715200			1					
37	8715402			6					
38	8715500			2					
39	8774983			1					
40	8883025			2					
41	8883059			8					
42	8883064			2					

S100/S150
S200/S260/S300

07/2005

TAV. 198



**S100/S150
S200/S260/S300**

07/2005

TAV.199/A

RIF.	CODICE			QUANTITA' QUANTITY QUANTITE MENGE CANTIDAD
1	6020016	TAB. N°1		1
2	6075146			1
3	6129032			1
4	6152027			1
5	6255101	TAB. N°1		1
6	6608536			1
7	6608794			1
8	6617672			1
9	6642143			1
10	6642213			1
11	7481059			1
12	8023120			1
13	8023142			2
14	8030032			1
15	8030201			1
16	8101113			1
17	8104074	7M 560		1
18	8130220		SKF 6202 ZRS	2
19	8153005			3
20	8153009			1
21	8153036			6
22	8280114			1
23	8280115			1
24	8280122			2
25	8280134			2
26	8280144			1
27	8280402			1
28	8280407			1
29	8715105			1
30	8715401			8
31	8715402			1
32	8715800			1
33	8883039			1
34	8883088			1
35	8883090			1
36	8885078			1
37	8885081			4
38	8885088			1
39	MOTOR B3	TAB. N°2		1

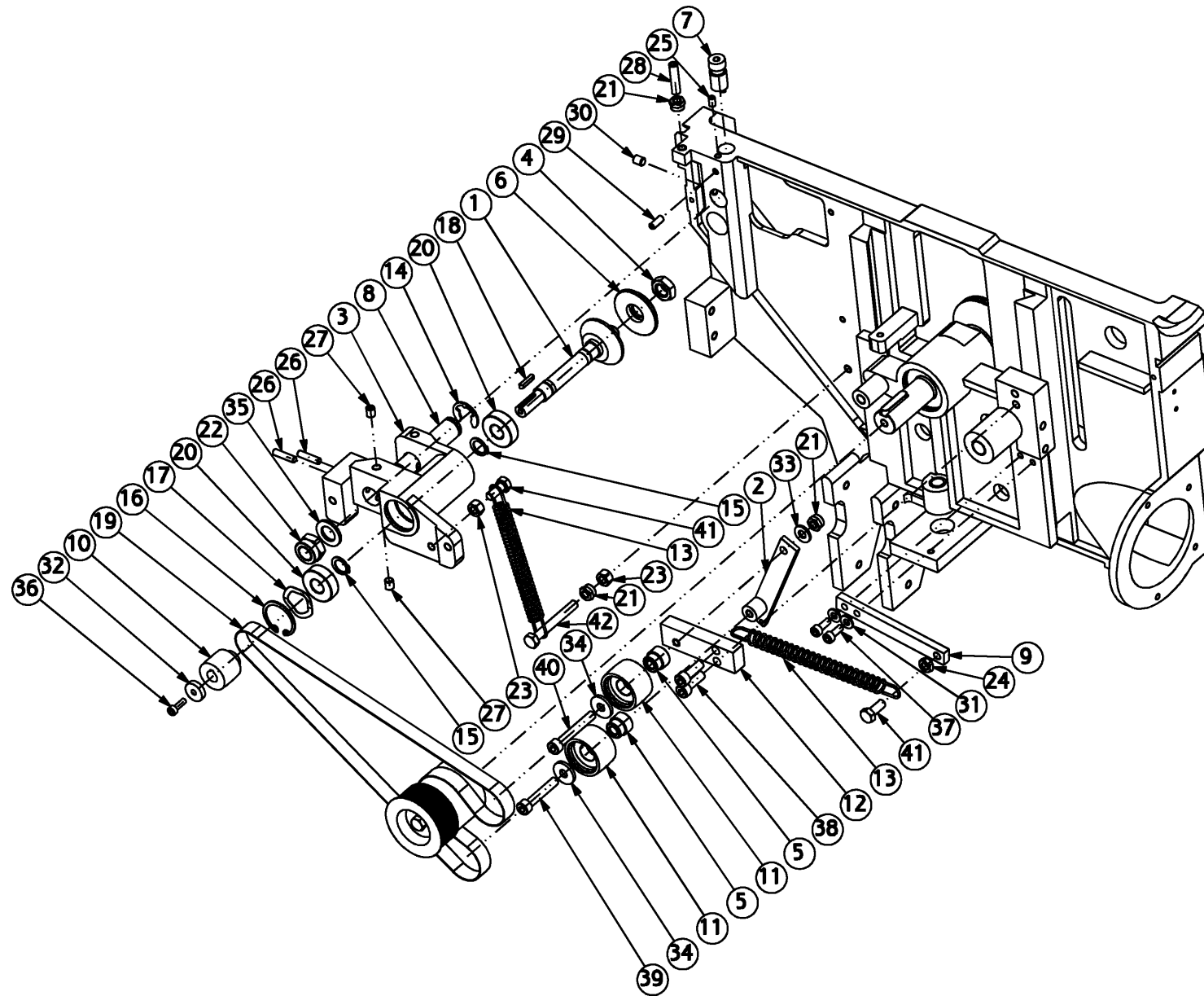
TAB. N°1			
RIF.	CE	USA (INCH)	USA (MM)
1	6020016	6020017	6020016
5	6255101	6255104	6255101

RIF.39	TAB. N°2
CODE	MOTOR TYPE
8477850	HP 0.75 2P B3 71 MULT. V230/400 50 HZ T
8477851	HP 0.9 2P B3 71 UL V230/460 60 HZ T
8477852	HP 0.9 2P B3 71 CSA V230/460 60 HZ T
8477853	HP 0.9 2P B3 71 CSA V575/990 60 HZ T
8477854	HP 0.75 2P B3 71 V220 50 HZ M
8477855	HP 0.75 2P B3 71 V240 50 HZ M
8477856	HP 0.75 2P B3 71 CSA V220 60 HZ M
8477857	HP 0.75 2P B3 71 V220 60 HZ M
8477858	HP 0.75 2P B3 71 UL V220 60 HZ M

S100/S150
S200/S260/S300

07/2005

TAV.199/A



S100/S150
S200/S260/S300

07/2005

TAV.199/B

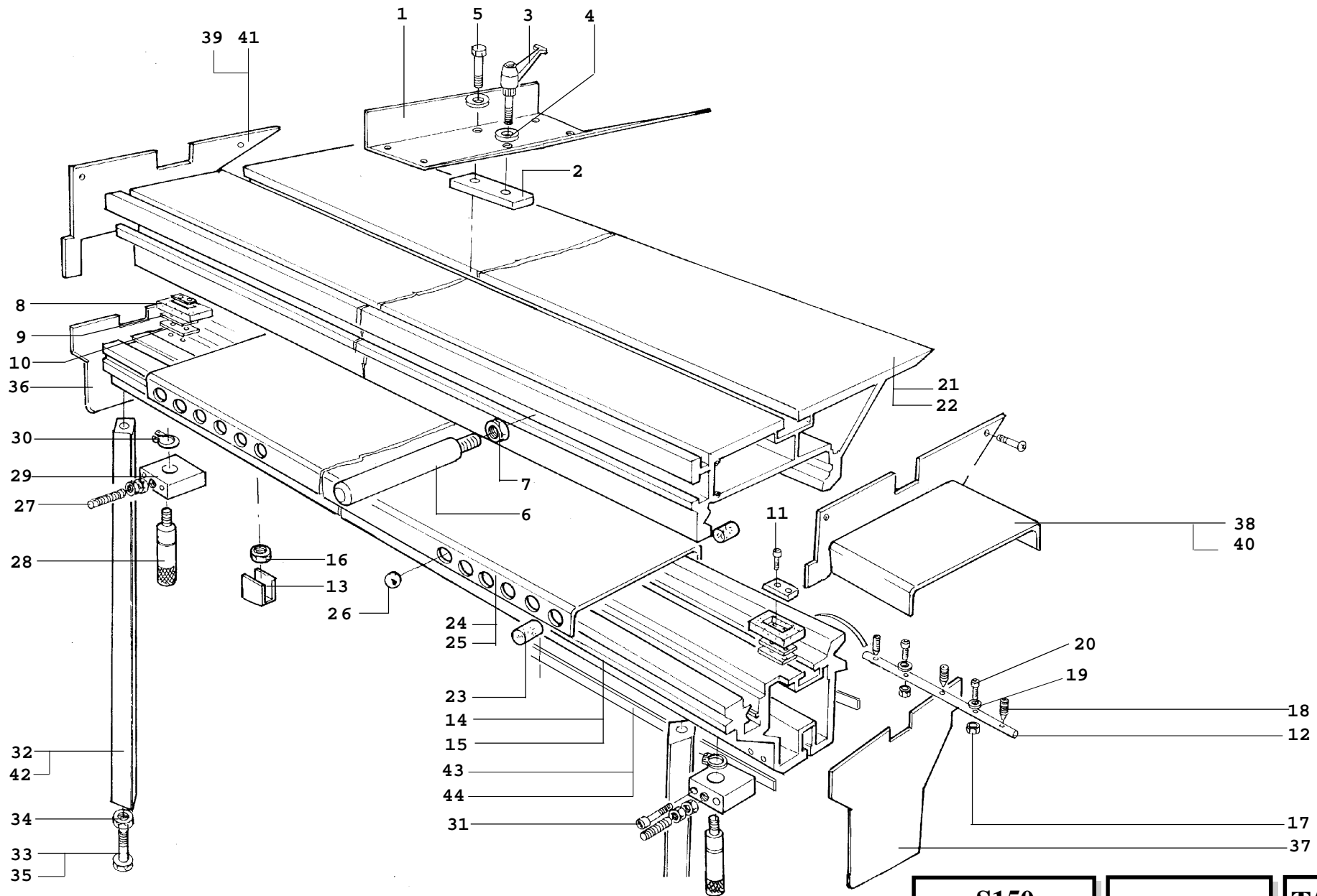
RIF.	CODICE			QUANTITA' QUANTITY QUANTITE MENGE CANTIDAD
1	6020016	TAB. N°1		1
2	6065063			1
3	6075146			1
4	6152027			1
5	6169161			2
6	6255101	TAB. N°1		1
7	6608536			1
8	6608794			1
9	6617426			1
10	6642131			1
11	6735022			2
12	6785501			1
13	7481059			2
14	8023120			1
15	8023142			2
16	8030032			1
17	8030201			1
18	8101113			1
19	8102287	T150 950x16		1
20	8130220		SKF 6202 2RS	2
21	8153005			3
22	8153009			1
23	8153036			2
24	8154002			1
25	8280115			1
26	8280122			2
27	8280134			2
28	8280144			1
29	8280402			1
30	8280407			1
31	8715002			2
32	8715105			1
33	8715300			1
34	8715301			2
35	8715800			1
36	8883039			1
37	8883061			2
38	8883088			2
39	8883092			1
40	8883094			1
41	8885078			2
42	8885088			1

TAB. N°1			
RIF.	CE	USA (INCH)	USA (MM)
1	6020016	6020017	6020016
6	6255101	6255104	6255101

**S100/S150
S200/S260/S300**

07/2005

TAV.199/B



S150

01/2005

TAV. 200

RIF.	CODE			QUANTITA' QUANTITY MENGE CANDIDAD
1	6396008			1
2	6617244			1
3	8411001			1
4	8715004			2
5	8885102			1
6	6447958			1
7	8154040			1
8	6617155			4
9	6617209			4
10	6617211			8
11	8883062			16
12	6608387			5
13	6617241			2
14	6771049	L=1500		1
15	6771043	L=2000		1
16	8154003			2
17	8154170			10
18	8280124			15
19	8715051			10
20	8883555			10
21	6096055	L=1500		1
22	6096049	L=2000		1
23	7239001			4
24	6269996	L=1500		1
25	6269995	L=2000		1
26	8753115			12
27	8634520			2
28	6608399			2
29	6785502			2
30	8023118			2
31	8883069			4
32	6785504	L=1500		2
33	8613801	L=2000		2
34	8153038			2

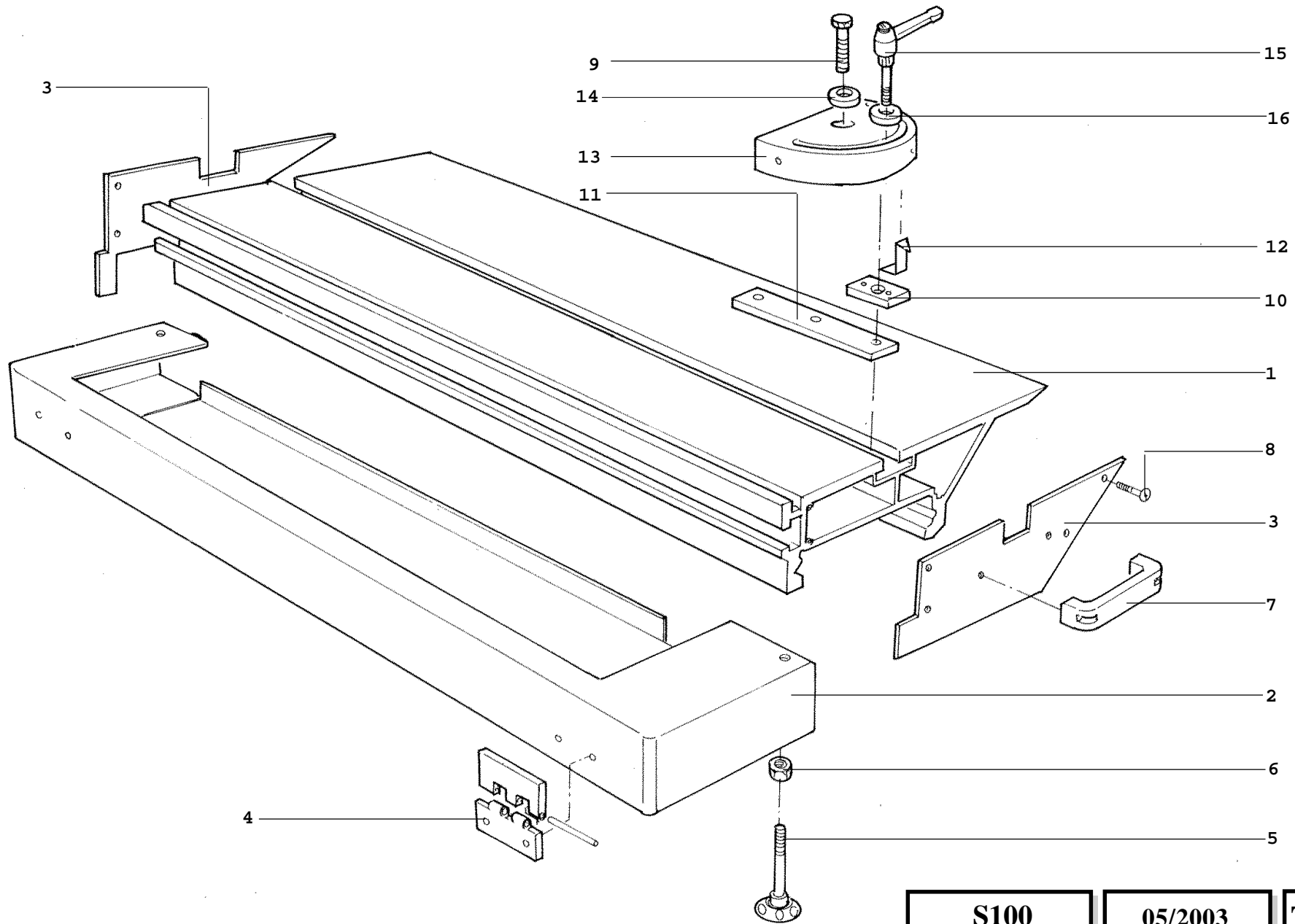
RIF.	CODE			QUANTITA' QUANTITY MENGE CANDIDAD
35	8885130	L=1500		2
36	6806132			1
37	6806131			1
38	6806091	L=1500		1
39	6806094	L=1500		1
40	6806066	L=2000		1
41	6806067	L=2000		1
42	6785436	L=2000		2
43	6520029	L=1500		8
44	6520026	L=2000		8

RIF.	CODE			QUANTITA' QUANTITY MENGE CANDIDAD

S150

01/2005

TAV. 200



S100

05/2003

TAV. 201

RIF.	CODE			QUANTITA'
				QUANTITY
				MENGE
				CANDIDAD
1	6096054			1
2	6771048			1
3	6806093			2
4	8101083			2
5	8885508			2
6	8153003			2
7	8454000			2
8	8883548			12
9	6603033			1
10	6617282			1
11	6617283			1
12	6390138			1
13	6773113			1
14	7169002			1
15	8411006			1
16	8715503			1

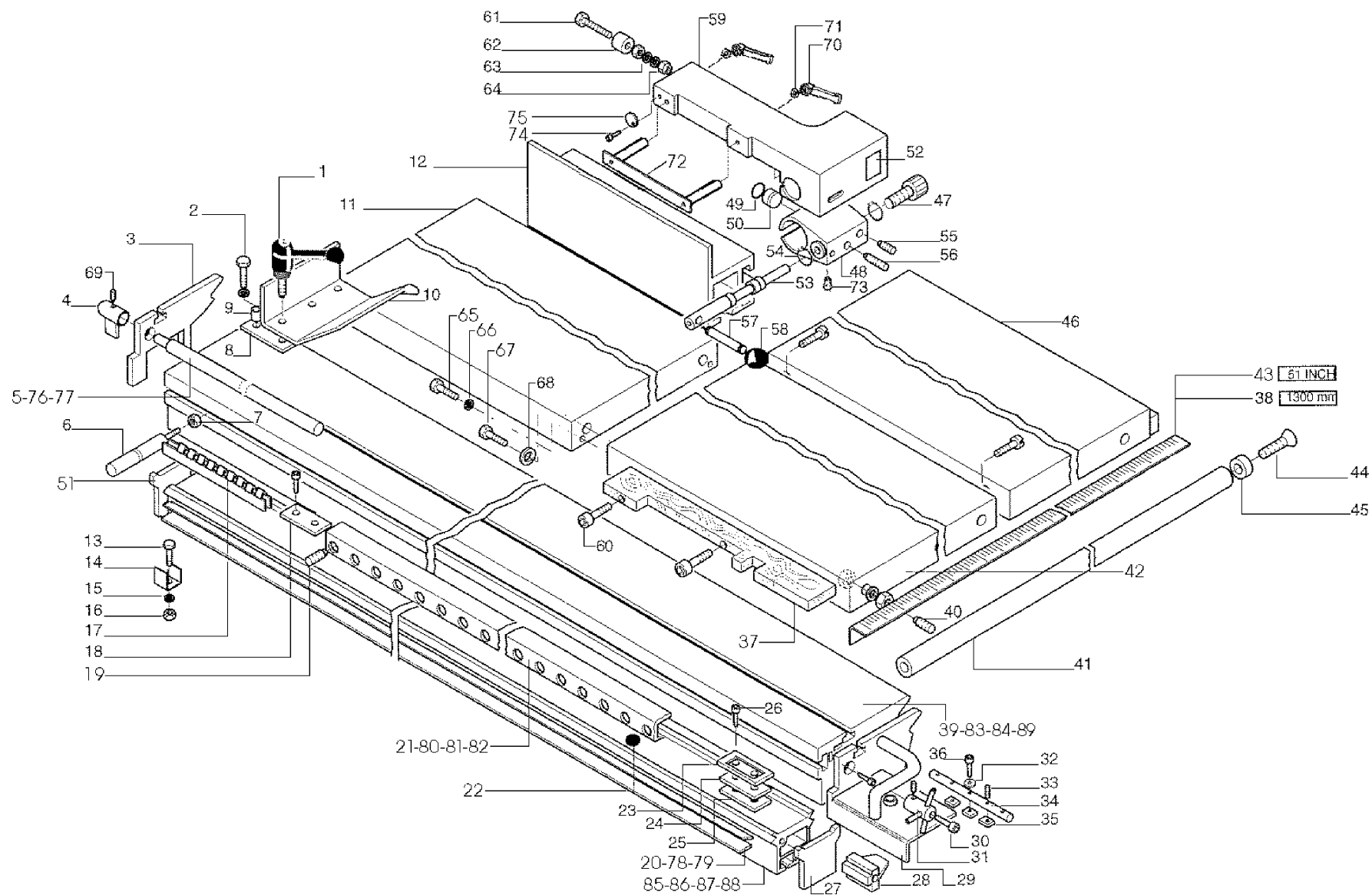
RIF.	CODE			QUANTITA'
				QUANTITY
				MENGE
				CANDIDAD

RIF.	CODE			

S100

05/2003

TAV. 201



**S100/S150
S200/S260/S300**

07/2005

TAV. 202

RIF.	CODE		QUANTITA'
			QUANTITE
			MENGE
			CANDIDAD
1	8411001	NO S100	1
2	8885102	NO S100	1
3	6806134	NO S100-S150	1
4	6070654	NO S100-S150	1
5	6608379	S300	1
6	6447958	NO S100	1
7	8154040	NO S100	1
8	6617244	NO S100	1
9	6169142	NO S100	1
10	6396008	NO S100	1
11	6633043		1
12	6302006		1
13	8885104	NO S100	10
14	6617241	NO S100	10
15	8715502	NO S100	10
16	8154003	NO S100	10
17	6396166	NO S100-S150	3
18	6617211	NO S100-S150	1
19	7239001	NO S100	4
20	6520029	S300-S150 (L=1500)	8
21	6269990	S300	1
22	8753115	NO S100	26
23	6617155	NO S100	4
24	6617209	NO S100	2
25	6617211	NO S100	4
26	8883062	NO S100	8
27	6806131	NO S100	1
28	6070651	NO S100-S150	3
29	6806133	NO S100-S150	1
30	8883553	NO S100-S150	1
31	6070653	NO S100-S150	1
32	8715051	NO S100	20
33	8280122	NO S100	30
34	6608387	NO S100	10
35	8154170	NO S100	20

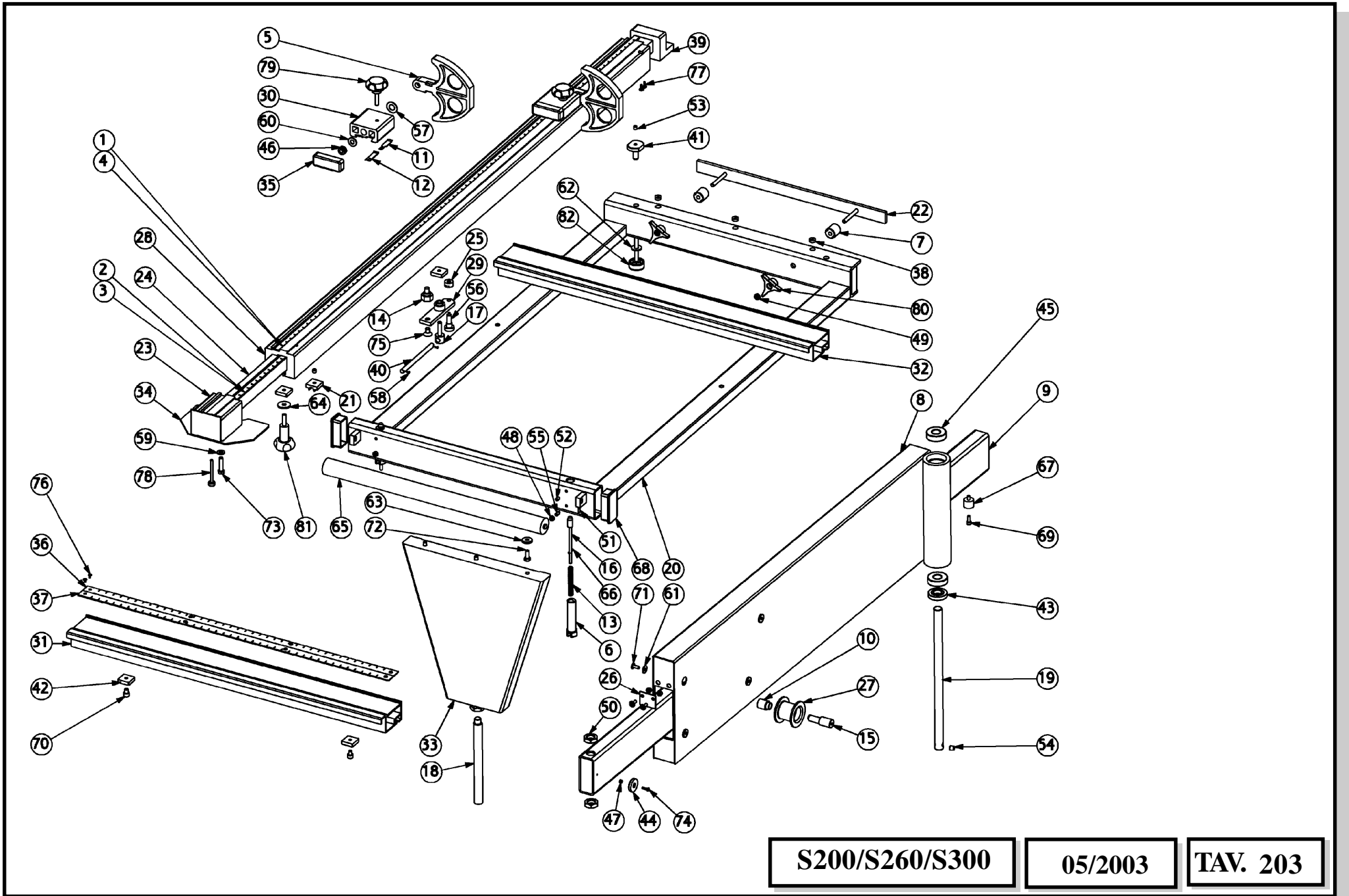
RIF.	CODE		QUANTITA'
			QUANTITE
			MENGE
			CANDIDAD
36	8883555	NO S100	20
37	6643052		1
38	6040180		1
39	6096048	S300	1
40	8483179		4
41	6609058		1
42	6615235		1
43	6040187		1
44	8887129		1
45	8715505		1
46	6633086		1
47	6881348		1
48	6065038		1
49	8023030		1
50	6598006		1
51	6806132	NO S100	1
52	6807299		1
53	6608162		1
54	8023120		2
55	8280136		2
56	8280218		1
57	6409043		1
58	8753150		1
59	6785263		1
60	8883044		4
61	8885130		1
62	7735002		1
63	8715601		2
64	8153038		2
65	8885081		4
66	8154002		4
67	8885081		4
68	8715402		4
69	8280115		3

RIF.	CODE		QUANTITA'
			QUANTITE
			MENGE
			CANDIDAD
70	8405999		2
71	8715003		2
72	6617253		1
73	8634521		1
74	8883039		2
75	7724902		2
76	6608392	S260	1
77	6608393	S200	1
78	6520026	S200-S150 (L=2000)	8
79	6520028	S260	8
80	6270010	S260	1
81	6269995	S200-S150 (L=2000)	1
82	6269996	S150 (L=1500)	1
83	6096049	S200-S150 (L=2000)	1
84	6096053	S260	1
85	6771042	S300	1
86	6771047	S260	1
87	6771043	S200-S150 (L=2000)	1
88	6771049	S150 (L=1500)	1
89	6096055	S150 (L=1500)	1

**S100/S150
S200/S260/S300**

07/2005

TAV. 202

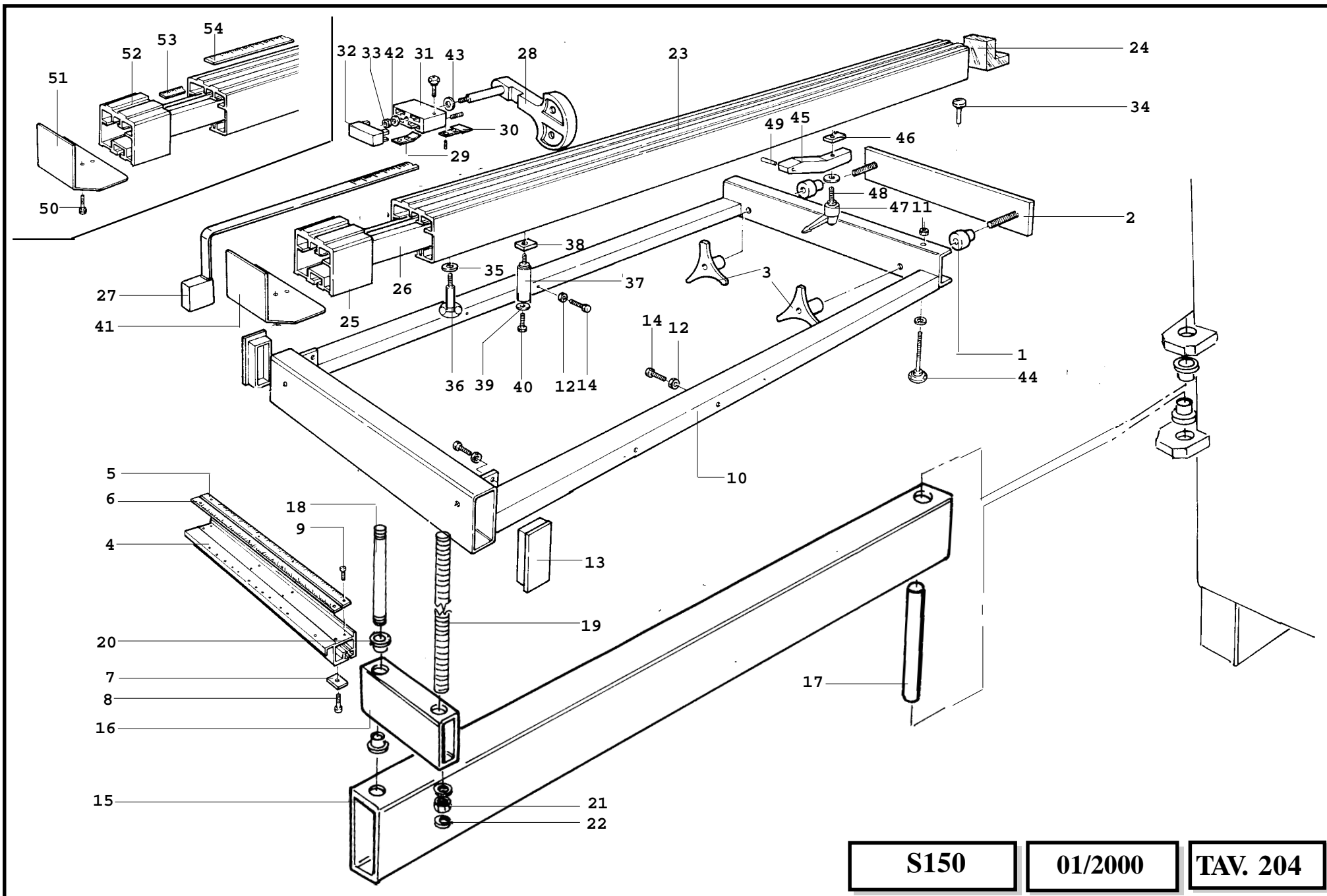


RIF.	CODICE			QUANTITA' QUANTITY MENGJE CANTIDAD	RIF.	CODICE			QUANTITA' QUANTITY MENGJE CANTIDAD
1	6040176	(mm)		1	42	7617133			6
2	6040177	(mm)		1	43	7725301			1
3	6040178	(inch)		1	44	8120002			1
4	6040179	(inch)		1	45	8130269	SKF 6204 2RS		2
5	6053025			2	46	8153006			2
6	6070516			2	47	8153032			1
7	6070705			2	48	8153034			6
8	6075066			1	49	8154002			2
9	6075086			1	50	8154008			4
10	6169155			4	51	8280086			4
11	6390115			2	52	8280115			2
12	6481064			2	53	8280133			2
13	6481124			2	54	8280156			1
14	6608143			1	55	8280486			2
15	6608144			4	56	8614006			1
16	6608368			2	57	8681997	SKF AS 1528		2
17	6608658			1	58	8702000			2
18	6608690			1	59	8715003			2
19	6608702			1	60	8715004			2
20	6615022			1	61	8715051			4
21	6617153			1	62	8715052			1
22	6617669			1	63	8715402			3
23	6633026			1	64	8715403			1
24	6633068			1	65	8719900			1
25	6642518			1	66	8771973			2
26	6689102			2	67	8801002			1
27	6735021			4	68	8801066			2
28	6773042			1	69	8883062			1
29	6779016			1	70	8883082			4
30	6785246			2	71	8883619			8
31	6785278			1	72	8885078			3
32	6785279			1	73	8885082			2
33	6785480			1	74	8887109			1
34	6806045			1	75	8887148			1
35	6806050			2	76	8888055			8
36	6807231			1	77	8888157			2
37	6807232			1	78	8891908			1
38	6881303			3	79	8892070			2
39	7402017			1	80	8892120			2
40	7409012			1	81	8893004			1
41	7608507			1	82	8895503			1

S200/S260/S300

05/2003

TAV. 203



S150

01/2000

TAV. 204

RIF.	CODE			QUANTITA'
				QUANTITY MENGE CANTIDAD
1	6070705			2
2	6617407			1
3	8892120			2
4	6785425			1
5	6807319			1
6	6807320			1
7	7617133			2
8	8883082			2
9	8888055			8
10	6615015			1
11	6881303			3
12	8154002			4
13	8801063			2
14	8885081			4
15	6075080			1
16	6075081			1
17	6608680			1
18	6608681			1
19	6608682			1
20	8079016			6
21	8280005			1
22	8023120			1
23	6773023			1
24	7402017			1
25	6633030			1
26	6633029			1
27	6806047			1
28	6053025			1
29	6390115			1
30	6481064			1
31	6785246			1
32	6806050			1
33	8153006			1
34	7608507			1

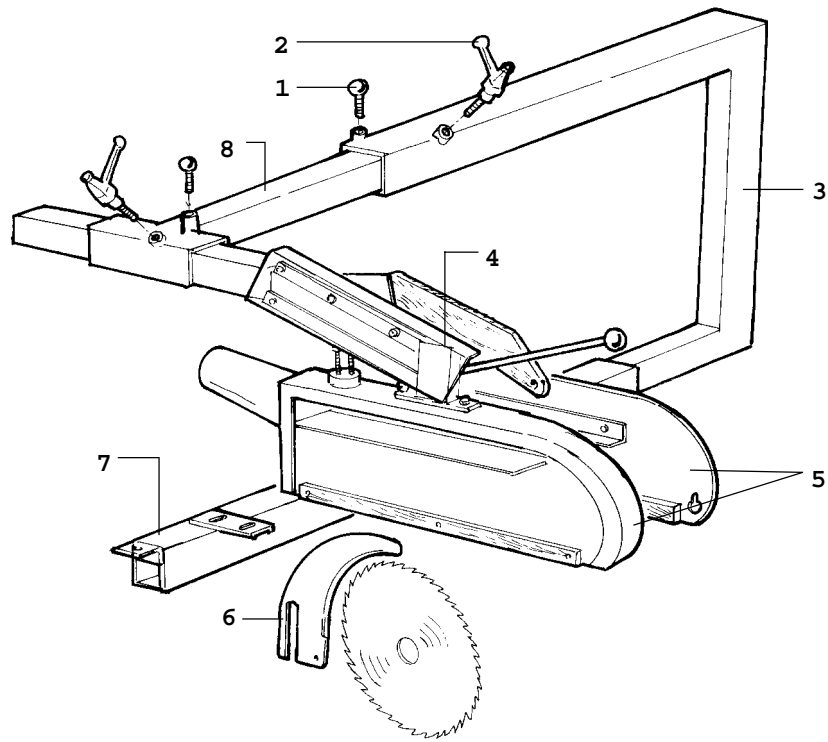
RIF.	CODE			QUANTITA'
				QUANTITY MENGE CANTIDAD
35	8715052			1
36	8883004			1
37	7608774			1
38	7617032			1
39	8715003			1
40	8885093			1
41	8255501			1
42	8681997			1
43	8715004			1
44	8895503			1
45	6779021			1
46	7617133			1
47	8460016			1
48	8715003			1
49	8772009			1
50	8891908			1
51	6806045			1
52	6633026			1
53	6040145			1
54	6040144			1

RIF.	CODE			QUANTITA'
				QUANTITY MENGE CANTIDAD

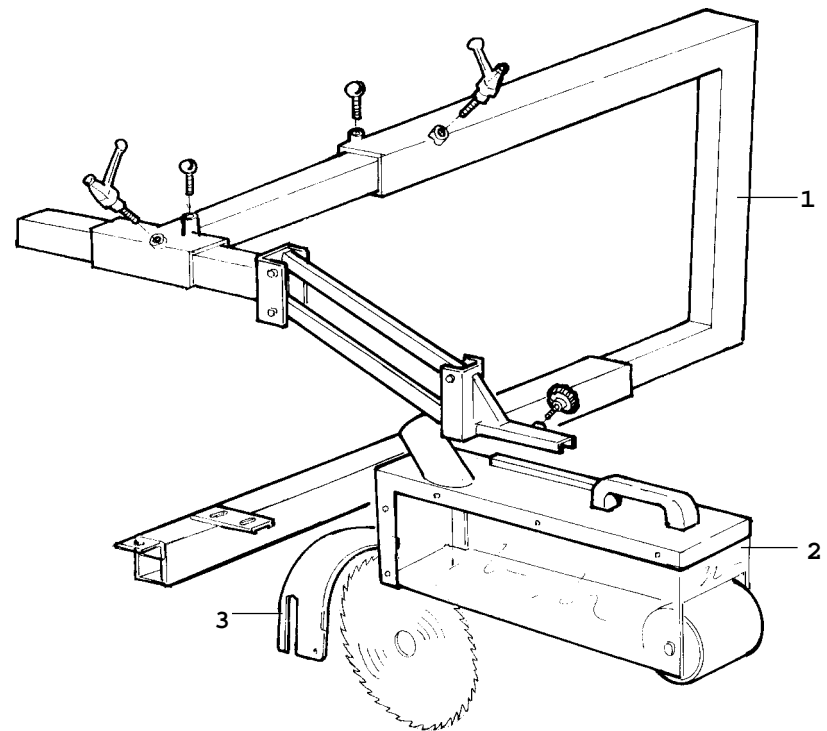
S150

01/2000

TAV. 204



A



B

S100/S150
S200/S260/S300

07/2005

TAV. 205

RIF.	CODE			QUANTITA'
				QUANTITA' M E N G E C A N D I D A T
A				
1	8753153			3
2	8411001			3
3	6075040			1
4	6785277			1
5	6637117			1
6	6395026			1
7	6785739			1
8	6075132			1
B				
1	8082005			1
2	8644060			1
3	6395026			1

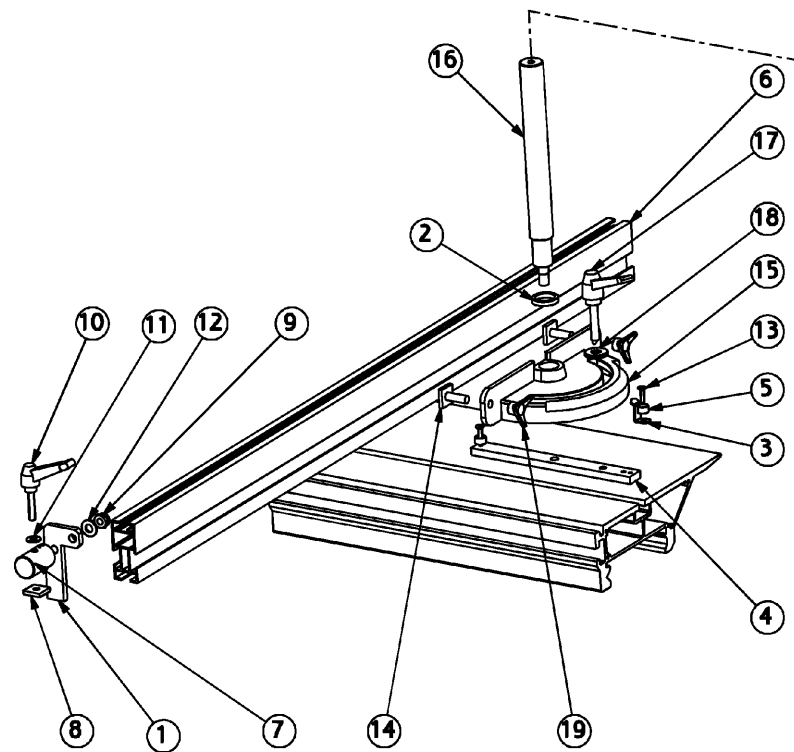
RIF.	CODE			QUANTITA'
				QUANTITA' M E N G E C A N D I D A T

RIF.	CODE			QUANTITA'
				QUANTITA' M E N G E C A N D I D A T

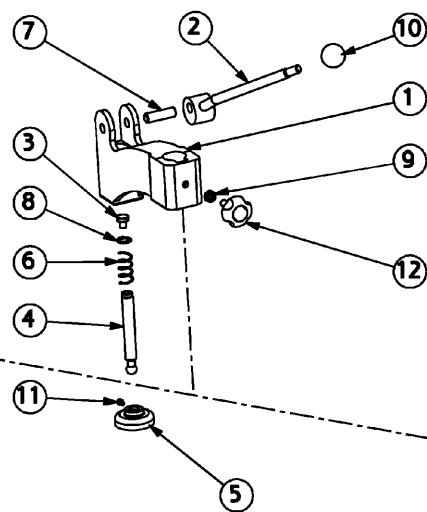
**S100/S150
S200/S260/S300**

07/2005

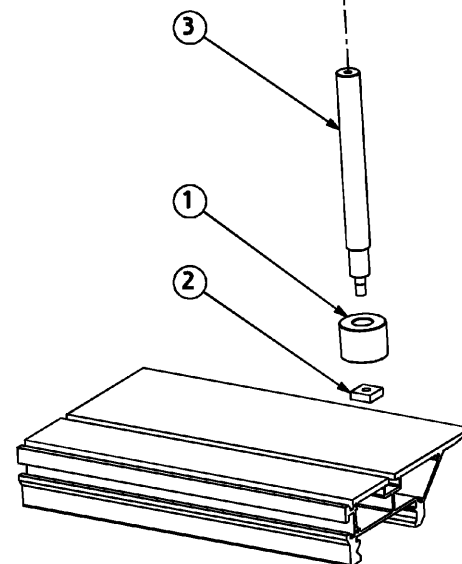
TAV. 205



A
OPTIONAL



B



C

S150/S200
S260/S300

05/2003

TAV. 380

A				
RIF.	CODICE			QUANTITA' QUANTITY QUANTITE MENGE CANTIDAD
1	6053004			1
2	6169224			1
3	6390133			1
4	6617528			1
5	6642523			2
6	6773038			1
7	6785035			1
8	7617032			1
9	8153006			1
10	8406014			1
11	8715003			1
12	8715004			1
13	8887118			2
14	6617006			2
15	6773113			1
16	7608877			1
17	8411006			1
18	8715503			1
19	8897008			2

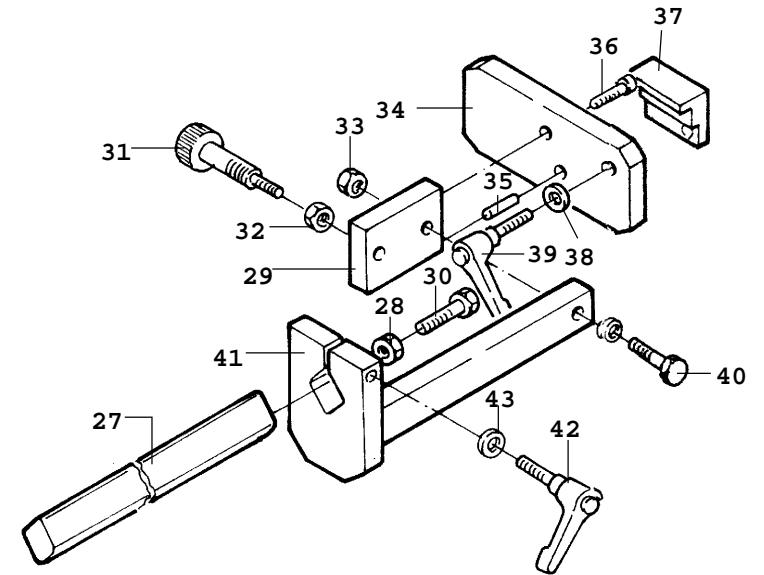
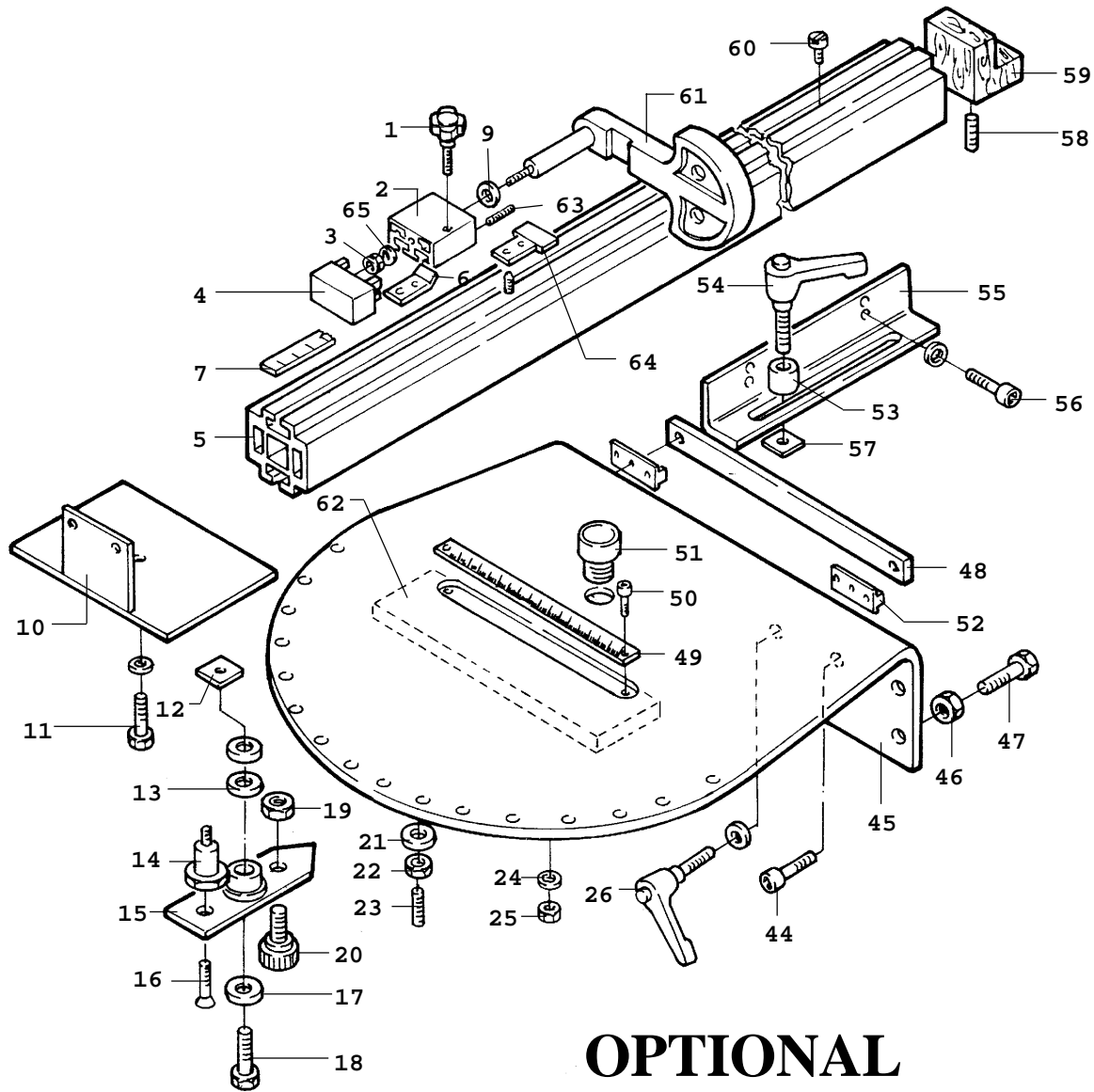
B				
RIF.	CODICE			QUANTITA' QUANTITY QUANTITE MENGE CANTIDAD
1	6075079			1
2	6409052			1
3	6598007			1
4	6606088			1
5	6619018			1
6	7481019			1
7	7608351			1
8	8023141			1
9	8154002			1
10	8753150			1
11	8883015			1
12	8892042			1

C				
RIF.	CODICE			QUANTITA' QUANTITY QUANTITE MENGE CANTIDAD
1	6169138			1
2	6617237			1
3	7608877			1

S150/S200
S260/S300

05/2003

TAV. 380



**SI50/S200
S260/S300**

05/2003

TAV. 381

RIF.	CODE			QUANTITA'
				QUANTITY
				MENGE
				CANTIDAD
1	8892070			1
2	6785246			1
3	8153006			1
4	6806050			1
5	6773031			1
6	6481064			1
7	8255501			1
8				
9	8681997			1
10	6806017			1
11	8885076			1
12	7617133			1
13	8040005			2
14	6608143			1
15	6779016			1
16	8887148			1
17	8715402			1
18	8885083			1
19	8154034			1
20	8614006			1
21	8715800			1
22	8153009			1
23	8280731			1
24	8715051			2
25	8153034			2
26	8411002			2
27	6040120			1
28	8153037			1
29	6785251			1
30	8885103			1
31	8614006			1
32	8154034			1
33	8153037			1
34	6617232			1
35	8772009			1

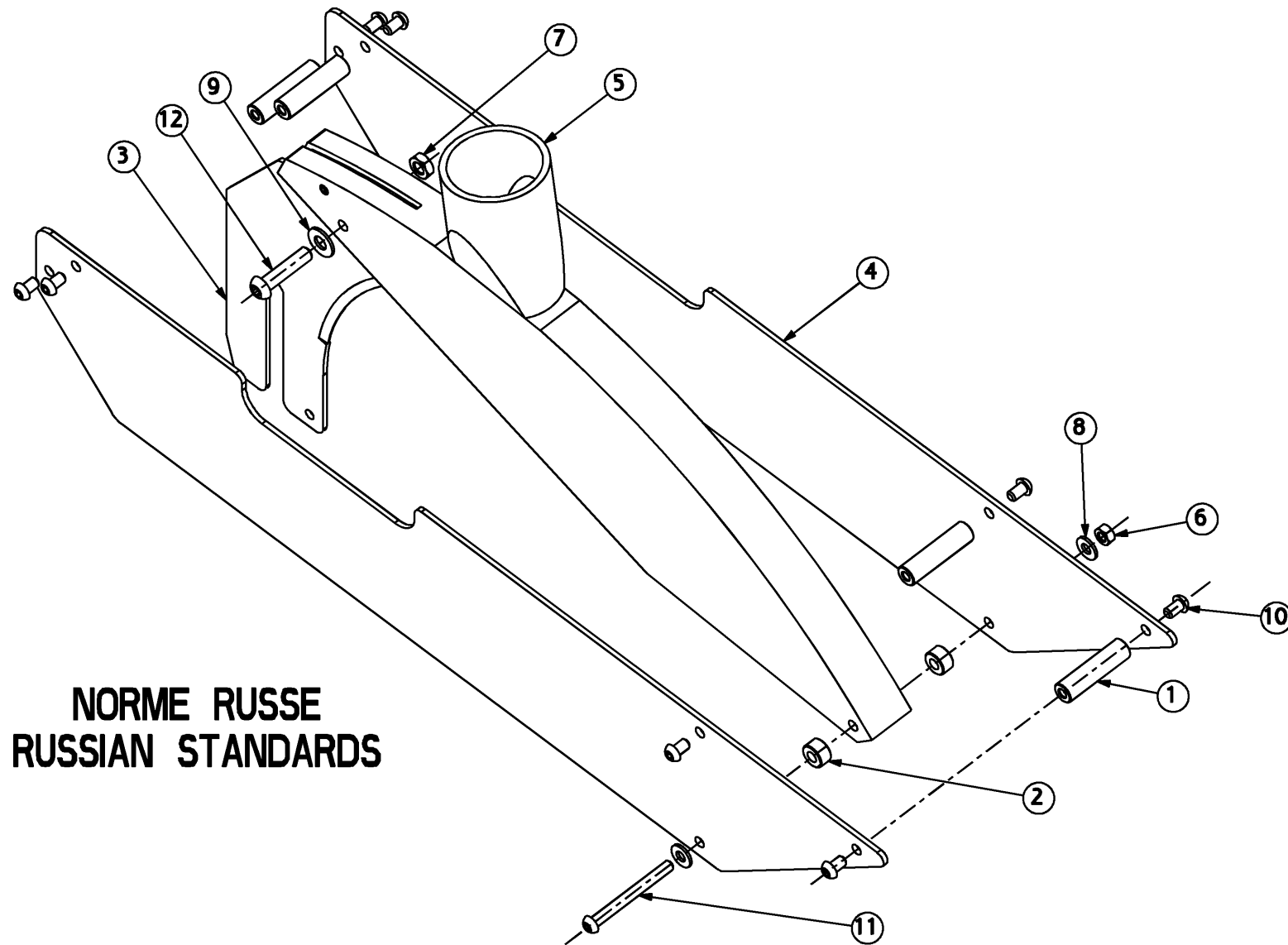
RIF.	CODE			QUANTITA'
				QUANTITY
				MENGE
				CANTIDAD
36	8883122			1
37	6617424			1
38	8715004			2
39	8411002			2
40	8883131			1
41	6075068			1
42	8406014			1
43	8715003			1
44	8885100			4
45	6773110			1
46	8154002			2
47	8888181			2
48	6617240			1
49	6807273			1
50	8887128			2
51	6608765			1
52	6169219			2
53	7169129			1
54	8406014			1
55	7773111			1
56	8888003			4
57	7617133			1
58	8888040			2
59	7402017			1
60	8888054			1
61	6053025			1
62	6396070			1
63	8772030			1
64	6390115			1
65	8715004			1

RIF.	CODE			QUANTITA'
				QUANTITY
				MENGE
				CANTIDAD

**S150/S200
S260/S300**

05/2003

TAV. 381



**NORME RUSSE
RUSSIAN STANDARDS**

**S100/S150
S200/S260/S300**

07/2005

TAV. 382

RIF.	CODICE			QUANTITA'
				QUANTITY QUANTITE MENGE CANTIDAD
1	6169086			4
2	6169211			2
3	6395025			1
4	6637156			2
5	6637161			1
6	8152831			1
7	8154002			1
8	8715002			2
9	8715003			1
10	8883548			8
11	8883560			1
12	8883571			1

**S100/S150
S200/S260/S300**

07/2005

TAV. 382